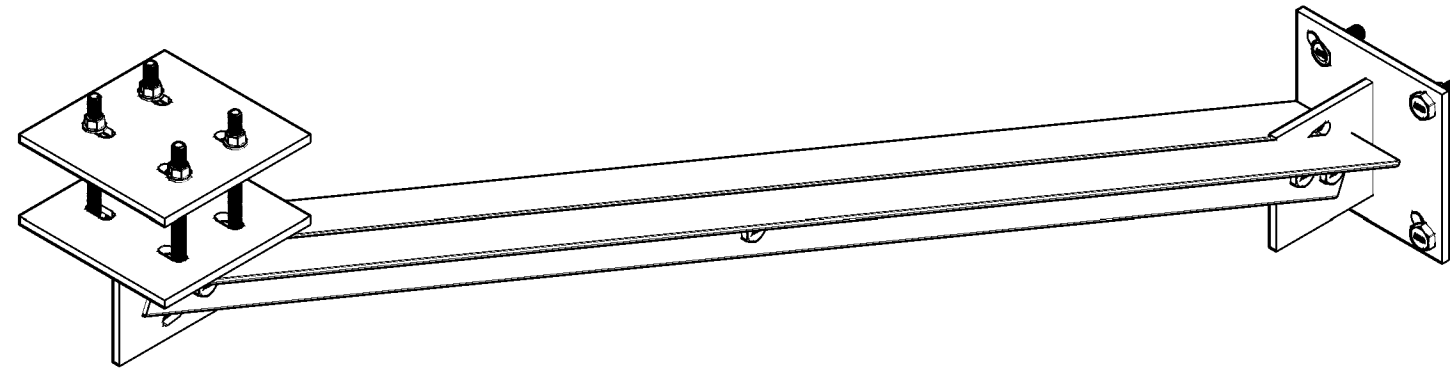


NOTE(S):

1. FOR USE ON MONOPOLE TOWER.
2. ORDER RING MOUNT SEPARATELY. SPECIFY 3 OR 4 SECTOR WHEN ORDERING.

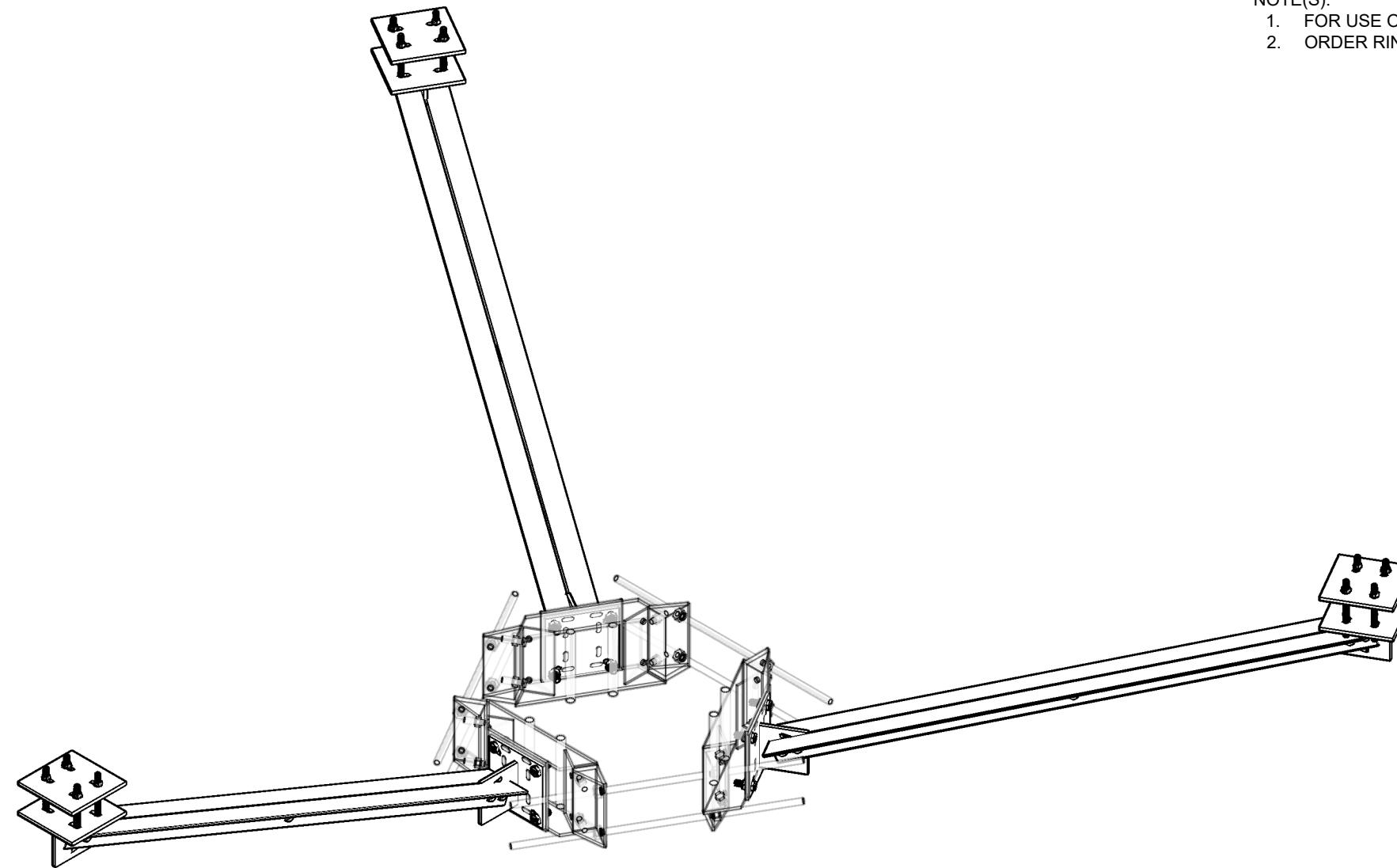


					DATE 03/07/2022	PART NO. VCKS	DRAWN BY LD
					SCALE 1:4	DESCRIPTION KICKER BRACE, SINGLE SECTOR	SHEET 1 OF 1
-	4	ADJUSTED WEIGHTS AND REFLECTED REV. 4 CHANGES	04/07/2022	-	PROPRIETARY NOTE:		
ZONE	REV	DESCRIPTION	DATE	APPROVED	THIS DOCUMENT AND THE INFORMATION IT CONTAINS IS PROPRIETARY AND CONFIDENTIAL TO VANCOMM LLC. IT HAS BEEN PROVIDED ONLY FOR YOUR INTERNAL USE IN CONSIDERING A PURCHASE FROM VANCOMM LLC. NEITHER THIS DOCUMENT NOR ANY PORTION THEREOF MAY BE RELEASED OR DISCLOSED TO ANY THIRD PARTY WITHOUT PRIOR CONSENT FROM VANCOMM LLC. PLEASE DESTROY ALL COPIES OF THIS DOCUMENT IF YOU CANNOT ACCEPT THIS PROPRIETARY RESTRICTION. DOCUMENT COPYRIGHT© 2021, VANCOMM LLC.		
REVISIONS							



The Original Mount
Build Not Destroy

2512 Route 73 North, Cinnaminson, NJ 08077



- NOTE(S):
1. FOR USE ON MONOPOLE TOWER.
 2. ORDER RING MOUNT SEPARATELY.

					DATE 03/23/2022	PART NO. VCKS	DRAWN BY LD
-	4	ADJUSTED WEIGHTS AND REFLECTED REV. 4 CHANGES	04/07/2022	-	SCALE 1:16	DESCRIPTION MONOPOLE KICKER SUPPORT MOUNT 10" TO 45" (3) SIDED W/ RING MOUNT	SHEET 1 OF 1
-	3	ADDED ASSEMBLY VIEW PAGE FOR 3 SECTOR	03/23/2022	-	PROPRIETARY NOTE:		
ZONE	REV	DESCRIPTION	DATE	APPROVED	THIS DOCUMENT AND THE INFORMATION IT CONTAINS IS PROPRIETARY AND CONFIDENTIAL TO VANCOMM LLC. IT HAS BEEN PROVIDED ONLY FOR YOUR INTERNAL USE IN CONSIDERING A PURCHASE FROM VANCOMM LLC. NEITHER THIS DOCUMENT NOR ANY PORTION THEREOF MAY BE RELEASED OR DISCLOSED TO ANY THIRD PARTY WITHOUT PRIOR CONSENT FROM VANCOMM LLC. PLEASE DESTROY ALL COPIES OF THIS DOCUMENT IF YOU CANNOT ACCEPT THIS PROPRIETARY RESTRICTION. DOCUMENT COPYRIGHT© 2021, VANCOMM LLC.		
REVISIONS							



The Original Mount
Build Not Destroy

2512 Route 73 North, Cinnaminson, NJ 08077