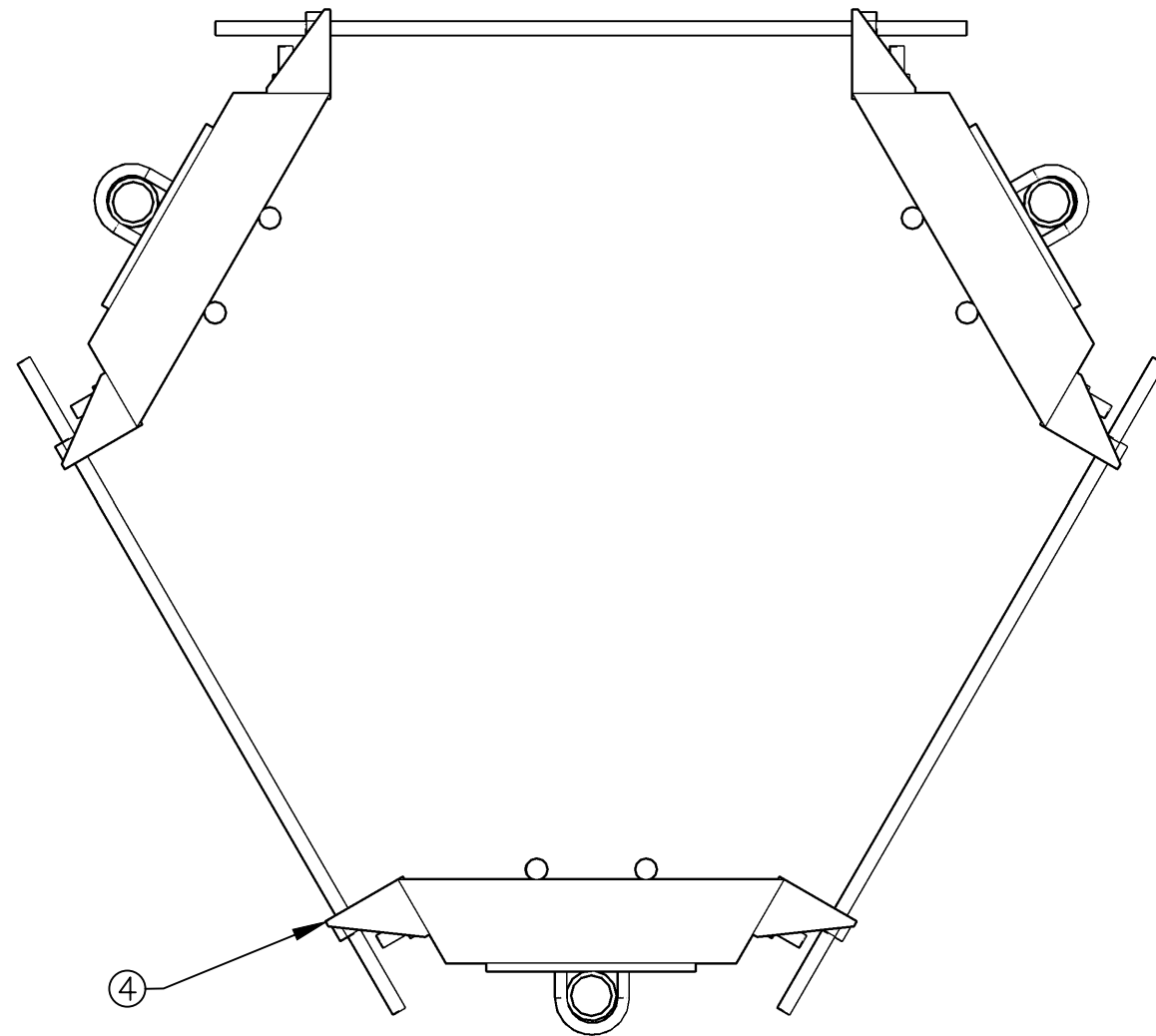
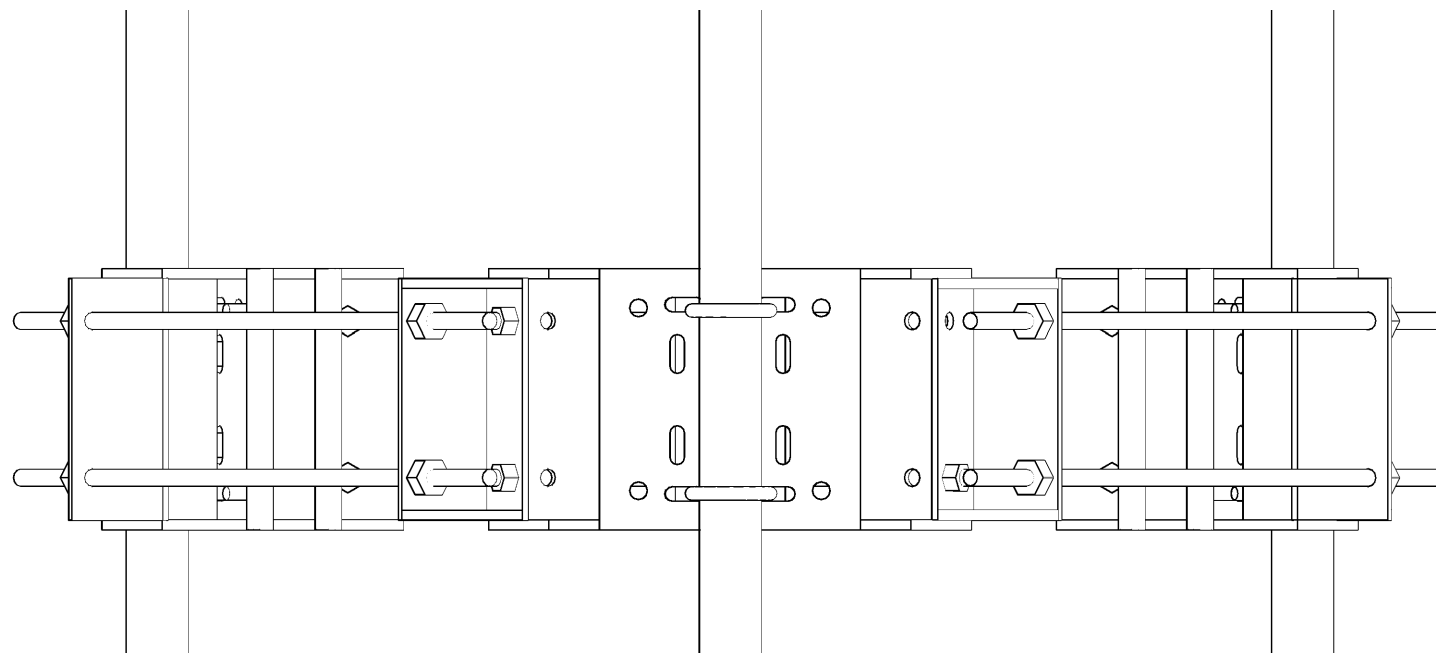
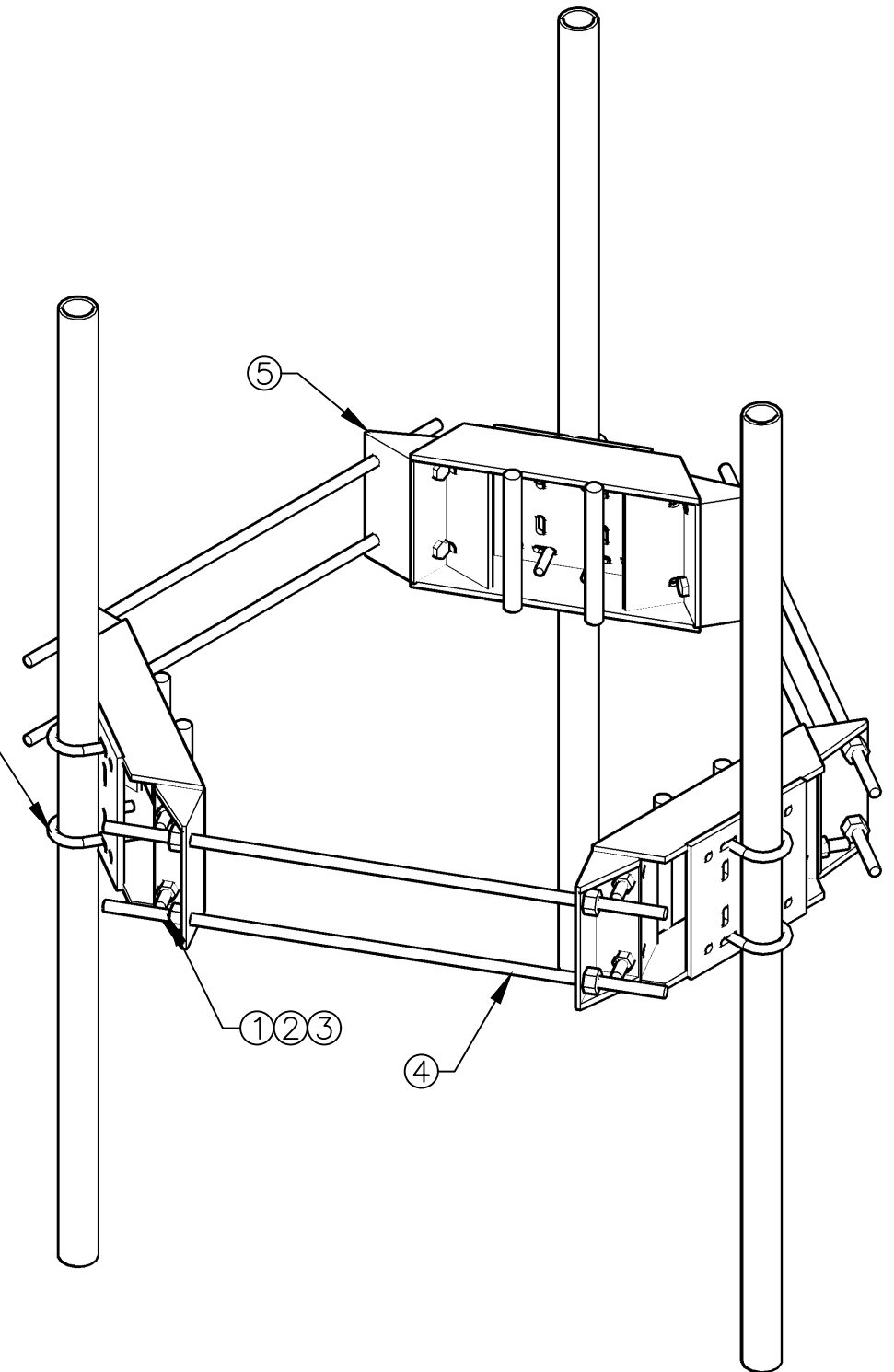


ITEM	PART NUMBER	DESCRIPTION	QTY
1	HBG582	5/8" X 2" BOLT	12
2	HNG58	5/8" GALV NUT	12
3	HLG58	5/8" GALV LOCK	12
4	HTR581	5/8" GALV THREADED ROD 36"	6
5	LDA28-45	ADAPTOR ANGLE	6



PIPE AND U-BOLT NOT INCLUDED



	A	SHOP DRAWING	5-15-13	
ZONE	REV	DESCRIPTION	DATE	APPROVED
		REVISIONS		

DATE	PART NO.	DESCRIPTION	DRAWN BY
	VCLDRMEX 26"-52"	26"-42" LIGHT DUTY RING MOUNT OPTIONAL EXTENSION	L.DONNELLY
SCALE			SHEET
1:4			4 OF 4
PROPRIETARY NOTE: THIS DOCUMENT AND THE INFORMATION IT CONTAINS IS PROPRIETARY AND CONFIDENTIAL TO VANCOMM LLC. IT HAS BEEN PROVIDED ONLY FOR YOUR INTERNAL USE IN CONSIDERING A PURCHASE FROM VANCOMM LLC. NEITHER THIS DOCUMENT NOR ANY PORTION THEREOF MAY BE RELEASED OR DISCLOSED TO ANY THIRD PARTY WITHOUT PRIOR CONSENT FROM VANCOMM LLC. PLEASE DESTROY ALL COPIES OF THIS DOCUMENT IF YOU CANNOT ACCEPT THIS PROPRIETARY RESTRICTION. DOCUMENT COPYRIGHT© 2021, VANCOMM LLC.			

The Original Mount
Build Not Destroy

2512 Route 73 North, Cinnaminson, NJ 08077