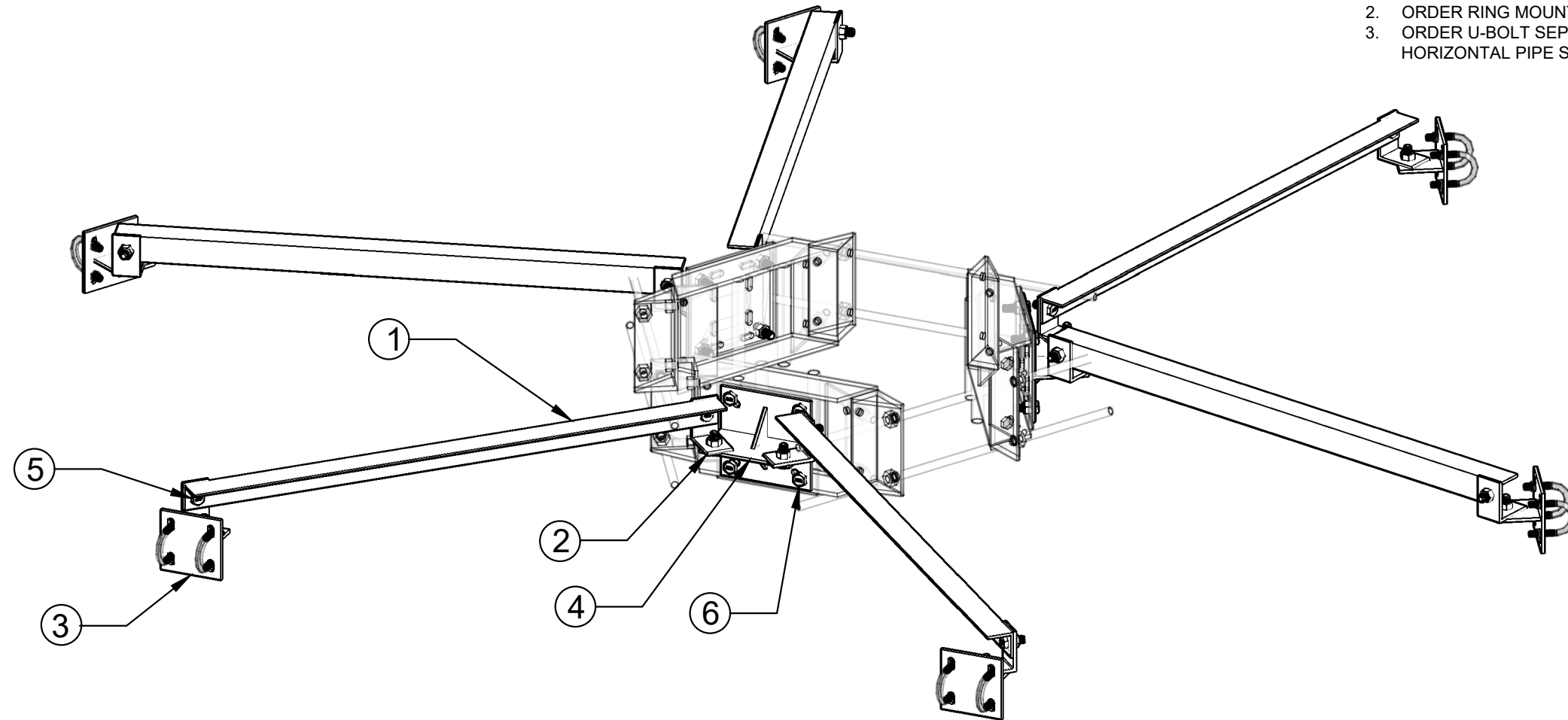


BILL OF MATERIALS			
ITEM	QTY	MATERIAL	WEIGHT
1	6	VCBK_ANGLE BRACE	110.52 LBS
2	12	VCBK_ANGLE CLIP	16.44 LBS
3	6	VCBK_T-PLATE	22.08 LBS
4	3	VCBK_RING MOUNT T-PLATE	27.67 LBS
5	24	5/8" X 1-3/4" A325 BOLT ASSEMBLY	
6	12	5/8" X 2" A325 BOLT ASSEMBLY	

- NOTE(S):
1. FOR USE ON MONOPOLE TOWER.
 2. ORDER RING MOUNT SEPARATELY.
 3. ORDER U-BOLT SEPARATELY. SPECIFY EXISTING OR NEW HORIZONTAL PIPE SIZE WHEN ORDERING.



				DATE 03/23/2022	PART NO. VCHBK3	DRAWN BY LD
				SCALE NTS	DESCRIPTION MONOPOLE STABILIZER KIT, THREE SECTOR	SHEET 8 OF 13
-	3	ADDED ASSEMBLY VIEW PAGE FOR 3 SECTOR	03/23/2022	-	PROPRIETARY NOTE: THIS DOCUMENT AND THE INFORMATION IT CONTAINS IS PROPRIETARY AND CONFIDENTIAL TO VANCOMM LLC. IT HAS BEEN PROVIDED ONLY FOR YOUR INTERNAL USE IN CONSIDERING A PURCHASE FROM VANCOMM LLC. NEITHER THIS DOCUMENT NOR ANY PORTION THEREOF MAY BE RELEASED OR DISCLOSED TO ANY THIRD PARTY WITHOUT PRIOR CONSENT FROM VANCOMM LLC. PLEASE DESTROY ALL COPIES OF THIS DOCUMENT IF YOU CANNOT ACCEPT THIS PROPRIETARY RESTRICTION. DOCUMENT COPYRIGHT© 2021, VANCOMM LLC.	
ZONE	REV	DESCRIPTION	DATE	APPROVED		
REVISIONS						



The Original Mount
Build Not Destroy

2512 Route 73 North, Cinnaminson, NJ 08077