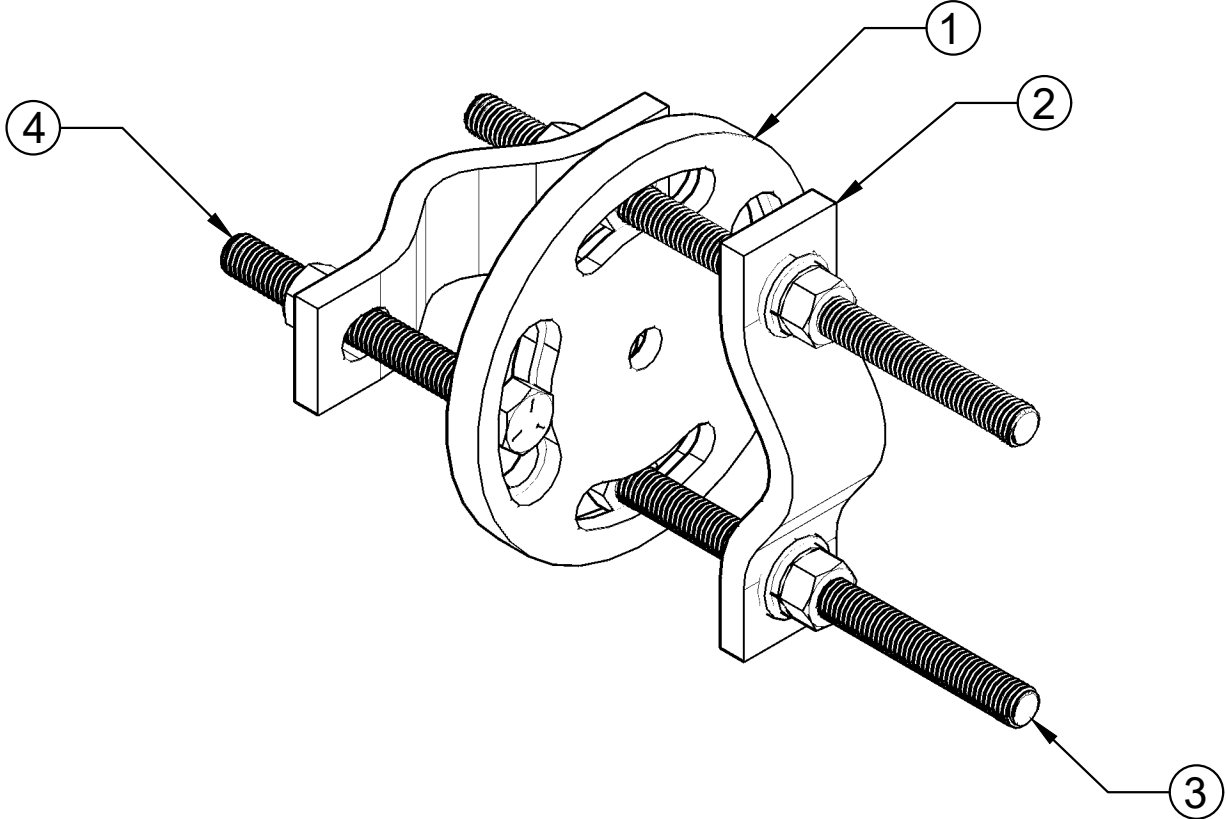


| BILL OF MATERIALS | | | |
|-------------------|-----|-------------|---|
| ITEM | QTY | PART NUMBER | DESCRIPTION |
| 1 | 1 | PUCK-4 | FLAT DISK CLAMP PLATE, 1/2" X 5-1/2"Ø, A36, HDG |
| 2 | 2 | CLAMP-4 | CLAMP, 3/8", A36, HDG |
| 3 | 2 | B1265GAL-G5 | 1/2-13 X 6-1/2" GALV. BOLT ASSEMBLY, GR 5 |
| 4 | 2 | B124GAL-G5 | 1/2-13 X 4" GALV. BOLT ASSEMBLY, GR 5 |

NOTE: FITS 7/8" O.D. TO 3-1/2" O.D. PIPE



| ZONE | REV | DESCRIPTION | DATE | APPROVED |
|------|-----|-------------|------|----------|
| | | REVISIONS | | |

| | | |
|-------------------|--|-----------------|
| DATE 2/18/2021 | PART NO. VCPUCK4 VANCOMM ASSEMBLY | DRAWN BY LD |
| SCALE 1:2 | DESCRIPTION ADJUSTABLE PUCK TIE-BACK ASSEMBLY, 4" | SHEET 1 OF 1 |

PROPRIETARY NOTE:
THIS DOCUMENT AND THE INFORMATION IT CONTAINS IS PROPRIETARY AND CONFIDENTIAL TO VANCOMM LLC. IT HAS BEEN PROVIDED ONLY FOR YOUR INTERNAL USE IN CONSIDERING A PURCHASE FROM VANCOMM LLC. NEITHER THIS DOCUMENT NOR ANY PORTION THEREOF MAY BE RELEASED OR DISCLOSED TO ANY THIRD PARTY WITHOUT PRIOR CONSENT FROM VANCOMM LLC. PLEASE DESTROY ALL COPIES OF THIS DOCUMENT IF YOU CANNOT ACCEPT THIS PROPRIETARY RESTRICTION. DOCUMENT COPYRIGHT© 2021, VANCOMM LLC.



The Original Mount
Build Not Destroy
2512 Route 73 North, Cinnaminson, NJ 08077