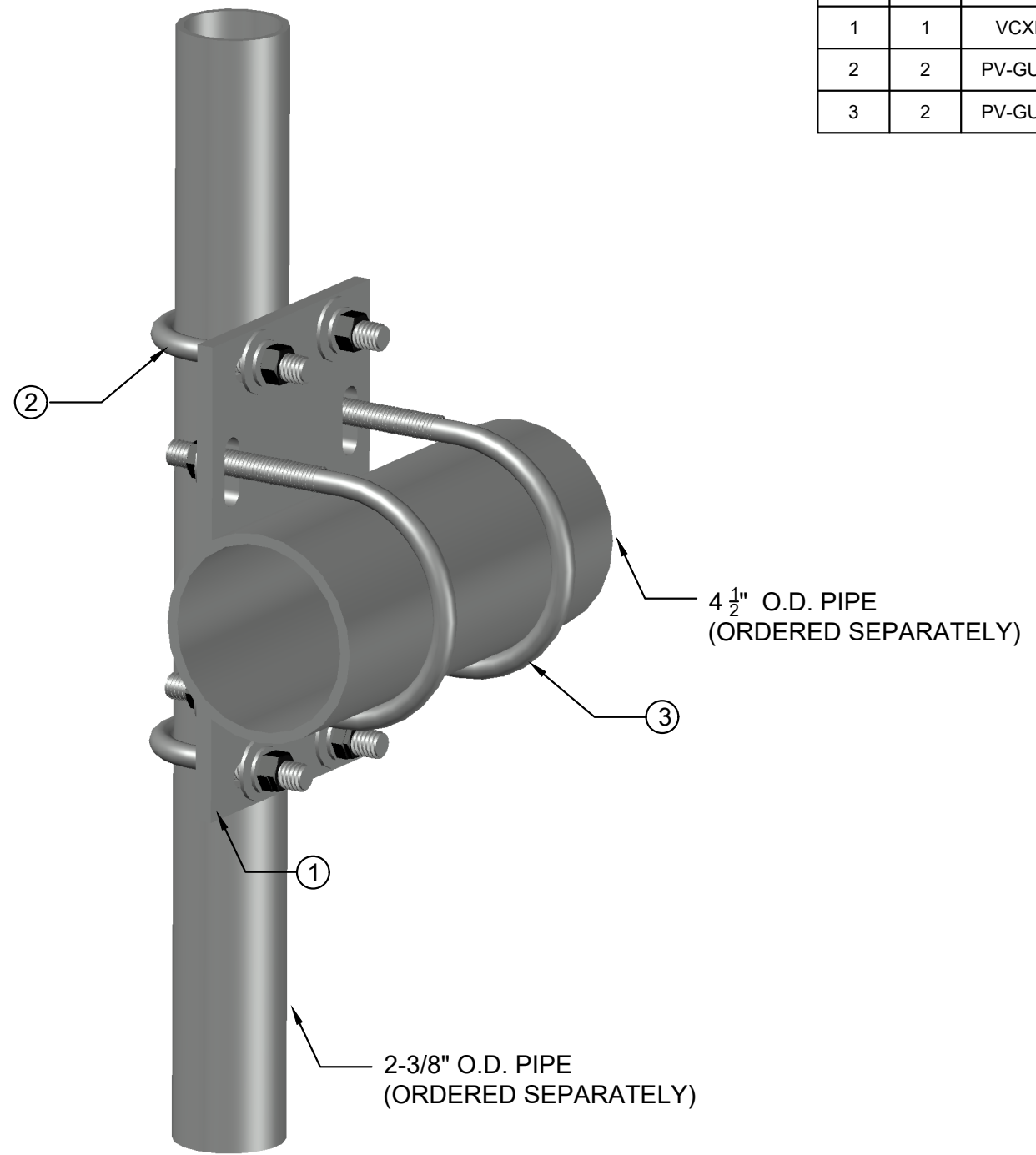


BILL OF MATERIALS			
ITEM	QTY	PART NUMBER	DESCRIPTION
1	1	VCXP2040	9X6 CROSSOVER PLATE, $\frac{3}{8}$ "X $9\frac{3}{8}$ "X6", A36, HDG
2	2	PV-GUB-4240	GALV. U-BOLT ASSEMBLY, 1/2" X 2-1/2" X 4"
3	2	PV-GUB-5245	GALV. U-BOLT ASSEMBLY, 1/2" X4-1/2" X 4"



ZONE	REV	DESCRIPTION	DATE	APPROVED
		REVISIONS		

DATE	11/07/22	PART NO.	VCXP2040 ASSEMBLY	DRAWN BY	VEI
SCALE	6"=1'	DESCRIPTION	CROSSOVER PLATE, JOINS 2-3/8" TO 4 1/2" OD PIPE	SHEET	2 of 2
PROPRIETARY NOTE: THIS DOCUMENT AND THE INFORMATION IT CONTAINS IS PROPRIETARY AND CONFIDENTIAL TO VANCOMM LLC. IT HAS BEEN PROVIDED ONLY FOR YOUR INTERNAL USE IN CONSIDERING A PURCHASE FROM VANCOMM LLC. NEITHER THIS DOCUMENT NOR ANY PORTION THEREOF MAY BE RELEASED OR DISCLOSED TO ANY THIRD PARTY WITHOUT PRIOR CONSENT FROM VANCOMM LLC. PLEASE DESTROY ALL COPIES OF THIS DOCUMENT IF YOU CANNOT ACCEPT THIS PROPRIETARY RESTRICTION. DOCUMENT COPYRIGHT© 2021, VANCOMM LLC.					



The Original Mount
Build Not Destroy

2512 Route 73 North, Cinnaminson, NJ 08077