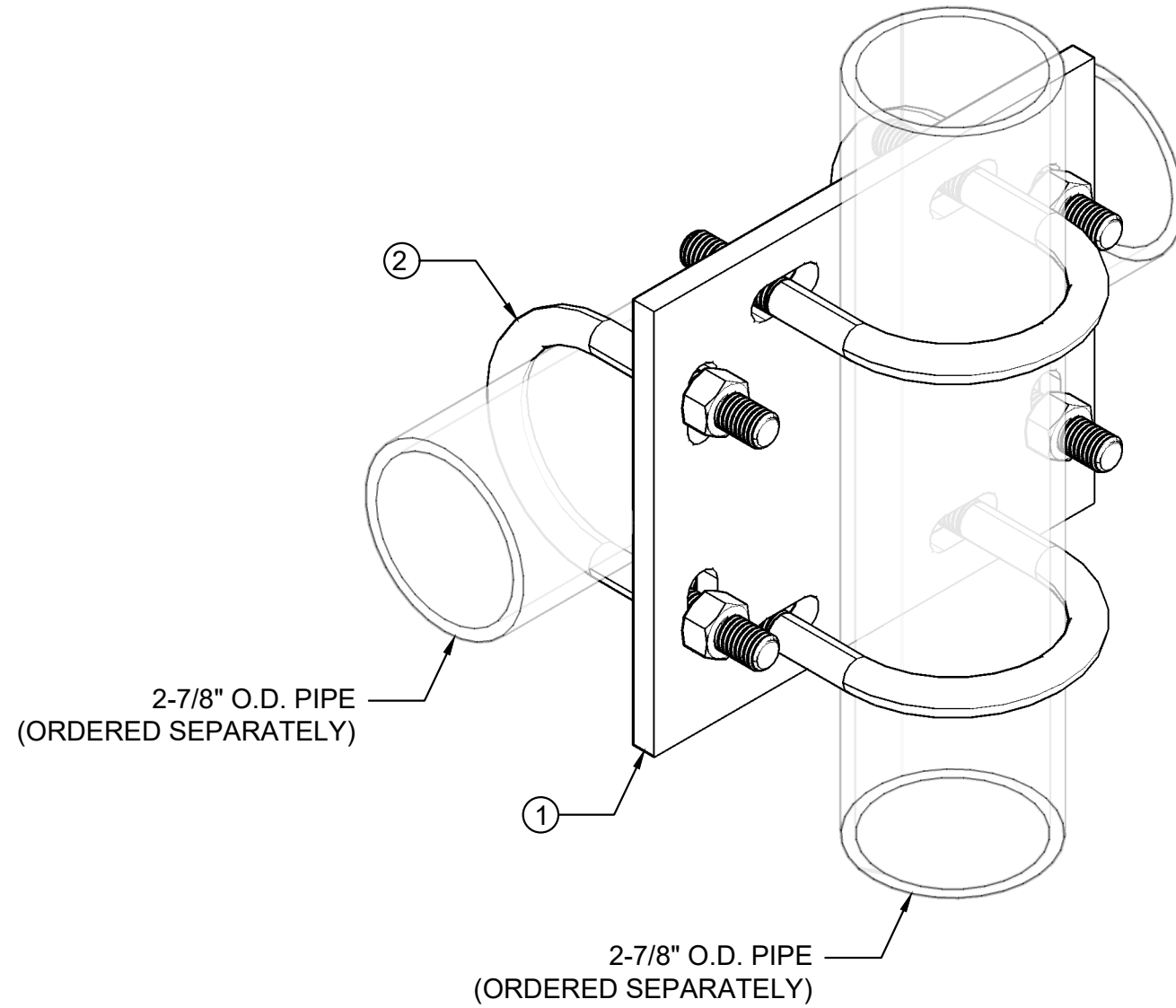


BILL OF MATERIALS

ITEM	QTY	PART NUMBER	DESCRIPTION
1	1	XP-8X7	8X7 CROSSOVER PLATE, $\frac{3}{8}$ "X8"X7", A36, HDG
2	4	PV-GUB-4352	GALV. U-BOLT ASSEMBLY, 1/2" X 3" X 5-1/4"



ZONE	REV	DESCRIPTION	DATE	APPROVED
		REVISIONS		

DATE 02/10/2021	PART NO. VCXP2525 ASSEMBLY	DRAWN BY LD
SCALE 1:2	DESCRIPTION CROSSOVER PLATE, JOINS 2-7/8" TO 2-7/8" OD PIPE	SHEET 1 OF 1

PROPRIETARY NOTE:
 THIS DOCUMENT AND THE INFORMATION IT CONTAINS IS PROPRIETARY AND CONFIDENTIAL TO VANCOMM LLC. IT HAS BEEN PROVIDED ONLY FOR YOUR INTERNAL USE IN CONSIDERING A PURCHASE FROM VANCOMM LLC. NEITHER THIS DOCUMENT NOR ANY PORTION THEREOF MAY BE RELEASED OR DISCLOSED TO ANY THIRD PARTY WITHOUT PRIOR CONSENT FROM VANCOMM LLC. PLEASE DESTROY ALL COPIES OF THIS DOCUMENT IF YOU CANNOT ACCEPT THIS PROPRIETARY RESTRICTION. DOCUMENT COPYRIGHT© 2021, VANCOMM LLC.



The Original Mount
Build Not Destroy
 2512 Route 73 North, Cinnaminson, NJ 08077