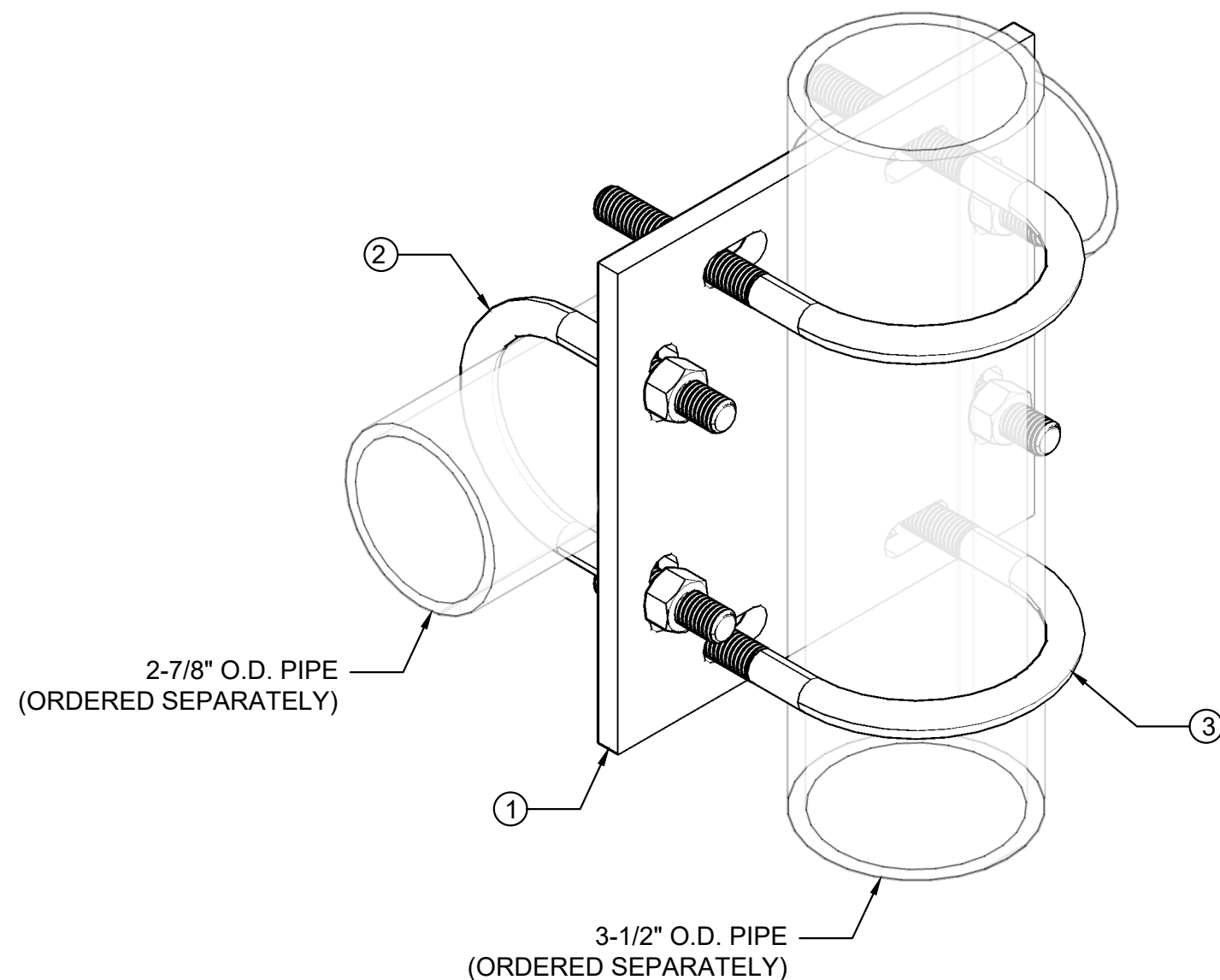


**BILL OF MATERIALS**

ITEM	QTY	PART NUMBER	DESCRIPTION
1	1	XP-8X8	8X8 CROSSOVER PLATE, 3/8"X8"X8", A36, HDG
2	2	PV-GUB-4352	GALV. U-BOLT ASSEMBLY, 1/2" X 3" X 5-1/4"
3	2	PV-GUB-4355	GALV. U-BOLT ASSEMBLY, 1/2" X 3-5/8" X 5"



ZONE	REV	DESCRIPTION	DATE	APPROVED
		REVISIONS		

DATE	02/10/2021	PART NO.	VCXP2530 ASSEMBLY DRAWING	DRAWN BY	LD
SCALE	1:2	DESCRIPTION	CROSSOVER PLATE, JOINS 2-7/8" TO 3-1/2" OD PIPE	SHEET	1 OF 1
PROPRIETARY NOTE: THIS DOCUMENT AND THE INFORMATION IT CONTAINS IS PROPRIETARY AND CONFIDENTIAL TO VANCOMM LLC. IT HAS BEEN PROVIDED ONLY FOR YOUR INTERNAL USE IN CONSIDERING A PURCHASE FROM VANCOMM LLC. NEITHER THIS DOCUMENT NOR ANY PORTION THEREOF MAY BE RELEASED OR DISCLOSED TO ANY THIRD PARTY WITHOUT PRIOR CONSENT FROM VANCOMM LLC. PLEASE DESTROY ALL COPIES OF THIS DOCUMENT IF YOU CANNOT ACCEPT THIS PROPRIETARY RESTRICTION. DOCUMENT COPYRIGHT© 2021, VANCOMM LLC.					



**The Original Mount**  
 Build Not Destroy

2512 Route 73 North, Cinnaminson, NJ 08077