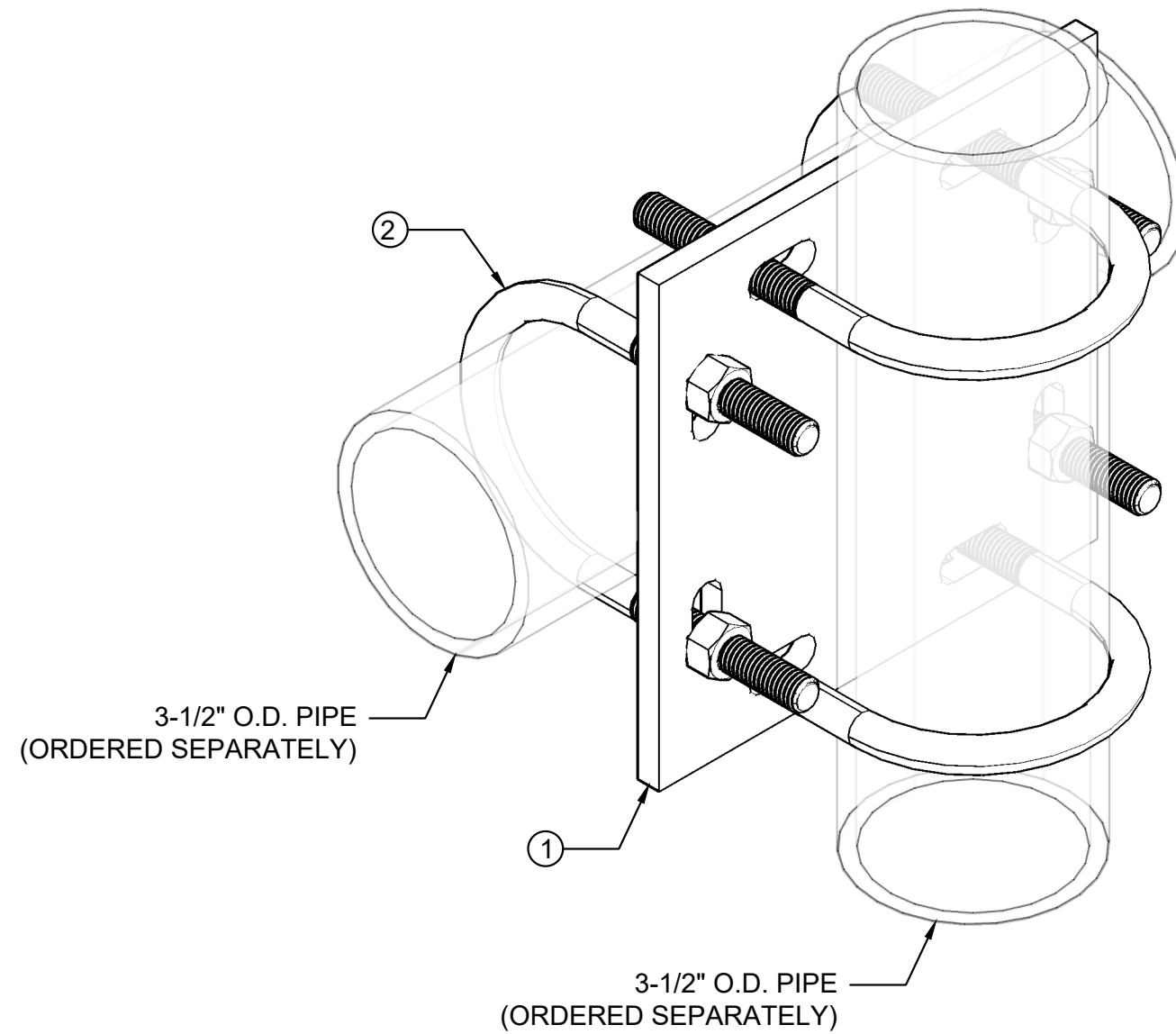


BILL OF MATERIALS

ITEM	QTY	PART NUMBER	DESCRIPTION
1	1	XP-8X8	8X8 CROSSOVER PLATE, 3/8"X8"X8", A36, HDG
2	4	PV-GUB-4355	GALV. U-BOLT ASSEMBLY, 1/2" X 3-5/8" X 5"



					DATE 02/10/2021	PART NO. VCXP3030 VANCOMM ASSEMBLY	DRAWN BY LD
					SCALE 1:2	DESCRIPTION CROSSOVER PLATE, JOINS 3-1/2" TO 3-1/2" OD PIPE	SHEET 1 OF 1
					PROPRIETARY NOTE: THIS DOCUMENT AND THE INFORMATION IT CONTAINS IS PROPRIETARY AND CONFIDENTIAL TO VANCOMM LLC. IT HAS BEEN PROVIDED ONLY FOR YOUR INTERNAL USE IN CONSIDERING A PURCHASE FROM VANCOMM LLC. NEITHER THIS DOCUMENT NOR ANY PORTION THEREOF MAY BE RELEASED OR DISCLOSED TO ANY THIRD PARTY WITHOUT PRIOR CONSENT FROM VANCOMM LLC. PLEASE DESTROY ALL COPIES OF THIS DOCUMENT IF YOU CANNOT ACCEPT THIS PROPRIETARY RESTRICTION. DOCUMENT COPYRIGHT© 2021, VANCOMM LLC.		
ZONE	REV	DESCRIPTION	DATE	APPROVED			
REVISIONS							



**The Original Mount**  
Build Not Destroy

2512 Route 73 North, Cinnaminson, NJ 08077