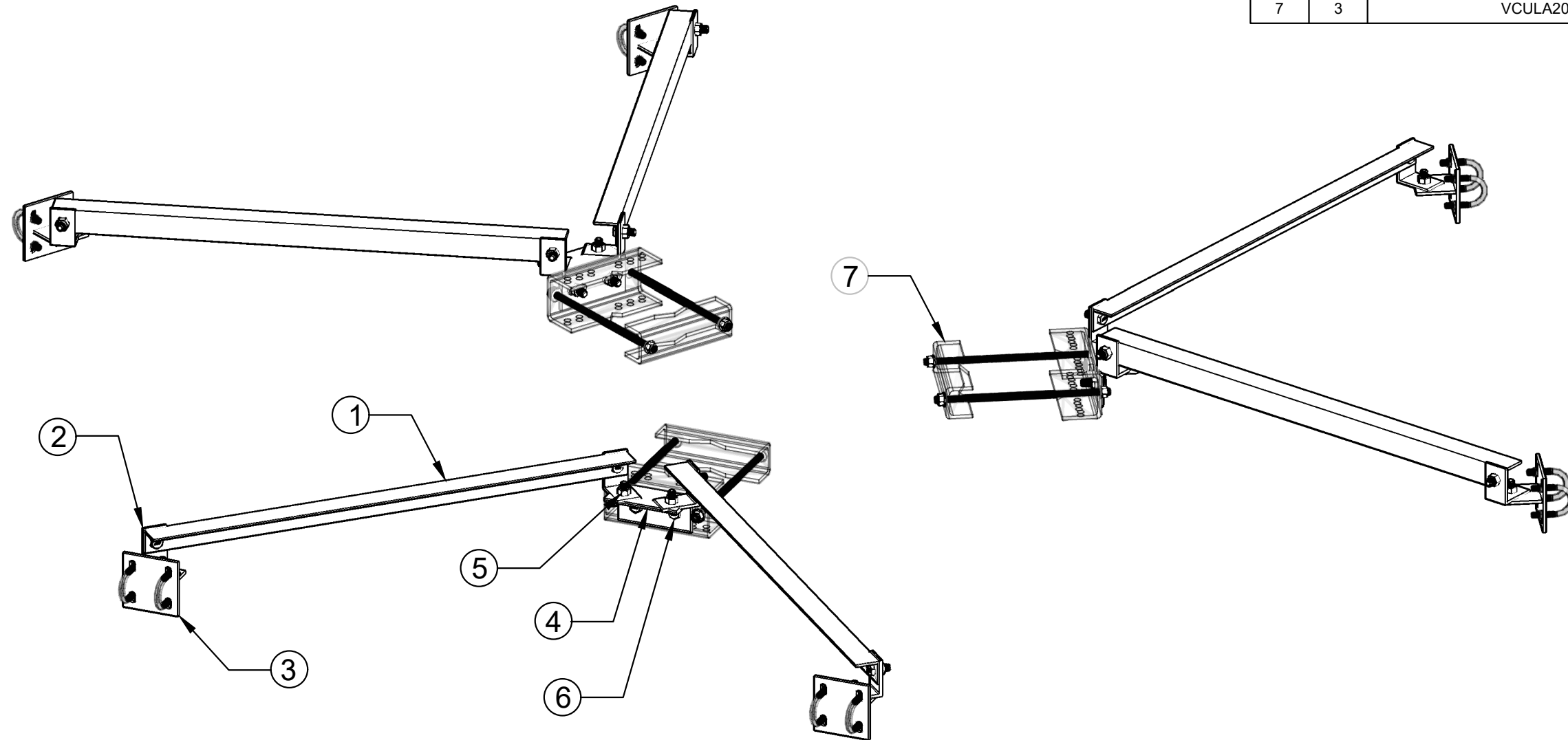


NOTE(S):

1. FOR USE ON TOWER LEG.
2. ORDER LEG ADAPTER SEPARATELY.
3. ORDER U-BOLT SEPARATELY. SPECIFY EXISTING OR NEW HORIZONTAL PIPE SIZE WHEN ORDERING.

BILL OF MATERIALS

ITEM	QTY	MATERIAL	WEIGHT
1	6	VCHBK3_ANGLE BRACE	110.52 LBS
2	12	VCHBK3_ANGLE CLIP	16.44 LBS
3	6	VCHBK3_T-PLATE	22.08 LBS
4	3	VCHBK3_LEG ADAPTOR ANGLE	19.59 LBS
5	24	5/8" X 1-3/4" A325 BOLT ASSEMBLY	
6	6	5/8" X 2" A325 BOLT ASSEMBLY	
7	3	VCULA2080	



				DATE 03/23/2022	PART NO. VCFSB FULL ASSEMBLY	DRAWN BY LD
				SCALE NTS	DESCRIPTION TOWER STABILIZER KIT, THREE SECTOR	SHEET 12 OF 13
-	3	ADDED ASSEMBLY VIEW PAGE FOR 3 SECTOR	03/23/2022	-	PROPRIETARY NOTE: THIS DOCUMENT AND THE INFORMATION IT CONTAINS IS PROPRIETARY AND CONFIDENTIAL TO VANCOMM LLC. IT HAS BEEN PROVIDED ONLY FOR YOUR INTERNAL USE IN CONSIDERING A PURCHASE FROM VANCOMM LLC. NEITHER THIS DOCUMENT NOR ANY PORTION THEREOF MAY BE RELEASED OR DISCLOSED TO ANY THIRD PARTY WITHOUT PRIOR CONSENT FROM VANCOMM LLC. PLEASE DESTROY ALL COPIES OF THIS DOCUMENT IF YOU CANNOT ACCEPT THIS PROPRIETARY RESTRICTION. DOCUMENT COPYRIGHT© 2021, VANCOMM LLC.	
ZONE	REV	DESCRIPTION	DATE	APPROVED	REVISIONS The Original Mount Build Not Destroy 2512 Route 73 North, Cinnaminson, NJ 08077	