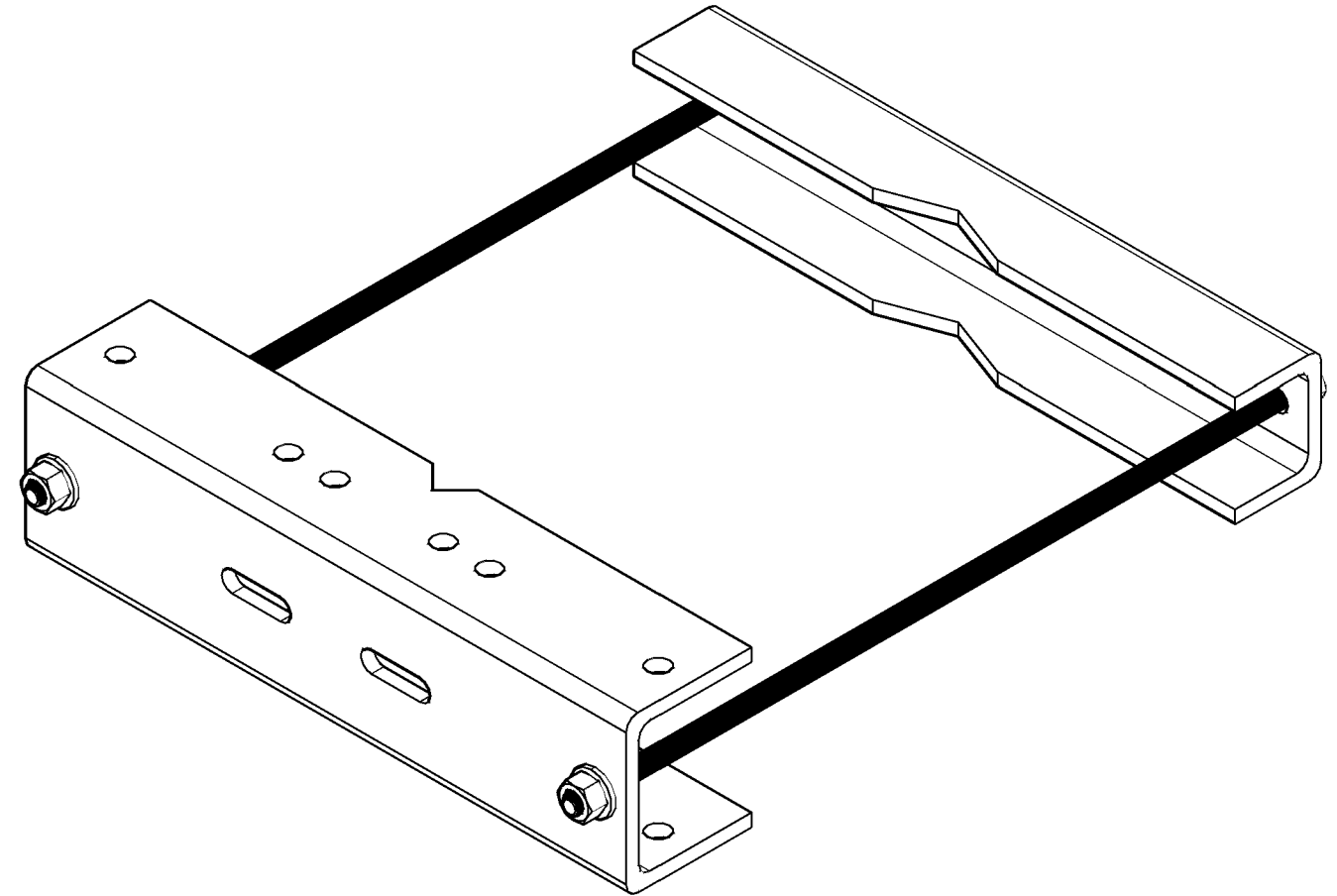


BILL OF MATERIALS			
ITEM	QTY	PART NUMBER	DESCRIPTION
1	1	VCULA2016	FRONT ATTACHMENT
2	1	VCULA2016	REAR ATTACHMENT
3	2	HTR5/8	5/8" X 2' GR. 36 ALL THREAD ROD
4	4	HNG5/8	5/8" A563DH NUT
5	4	HLG5/8	5/8" LOCK WASHER



ZONE	REV	DESCRIPTION	DATE	APPROVED
REVISIONS				

DATE 11/03/2021	PART NO. VCULA2016	DRAWN BY VEI
SCALE 3" = 1'	DESCRIPTION UNIVERSAL LEG ATTACHMENT, UP TO 16" LEG	SHEET 2 OF 2

PROPRIETARY NOTE:
THIS DOCUMENT AND THE INFORMATION IT CONTAINS IS PROPRIETARY AND CONFIDENTIAL TO VANCOMM LLC. IT HAS BEEN PROVIDED ONLY FOR YOUR INTERNAL USE IN CONSIDERING A PURCHASE FROM VANCOMM LLC. NEITHER THIS DOCUMENT NOR ANY PORTION THEREOF MAY BE RELEASED OR DISCLOSED TO ANY THIRD PARTY WITHOUT PRIOR CONSENT FROM VANCOMM LLC. PLEASE DESTROY ALL COPIES OF THIS DOCUMENT IF YOU CANNOT ACCEPT THIS PROPRIETARY RESTRICTION. DOCUMENT COPYRIGHT© 2021, VANCOMM LLC.



The Original Mount
Build Not Destroy

2512 Route 73 North, Cinnaminson, NJ 08077