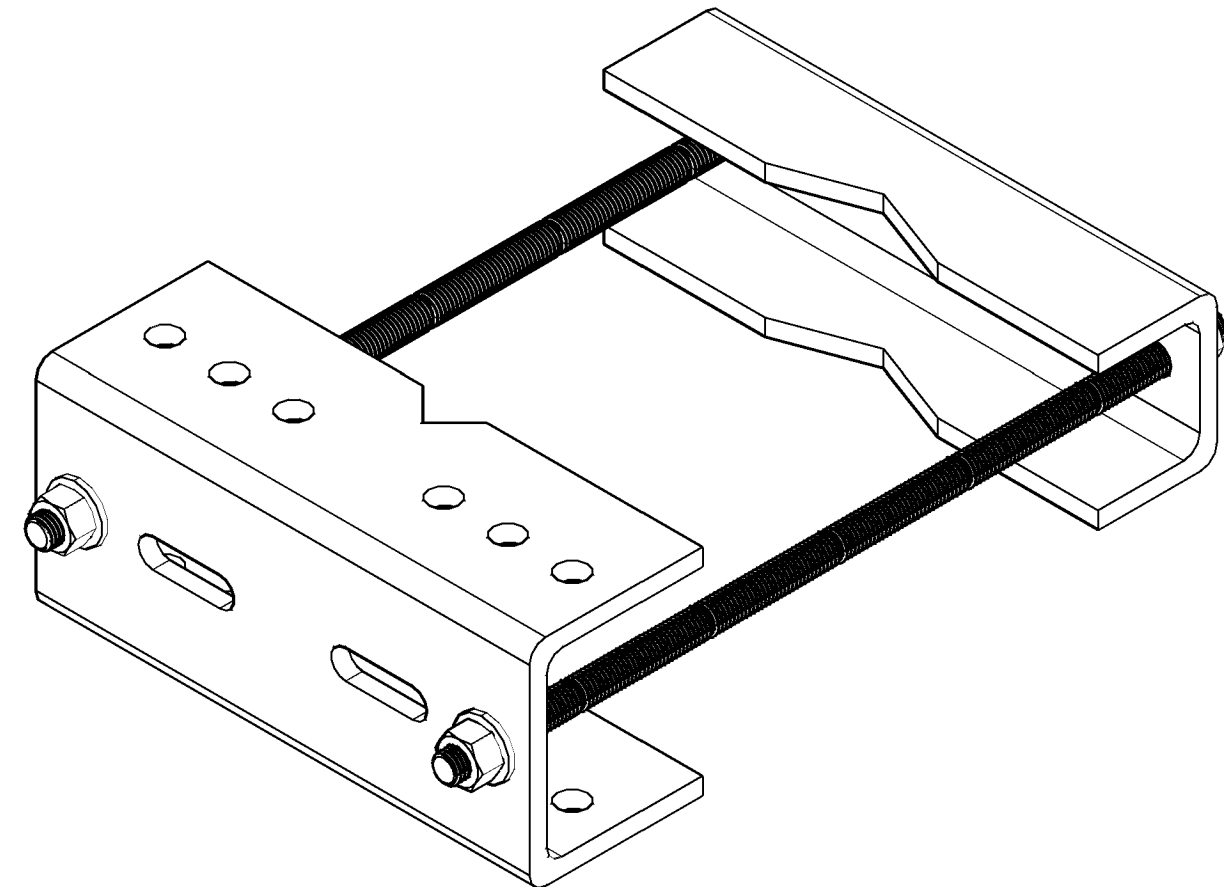
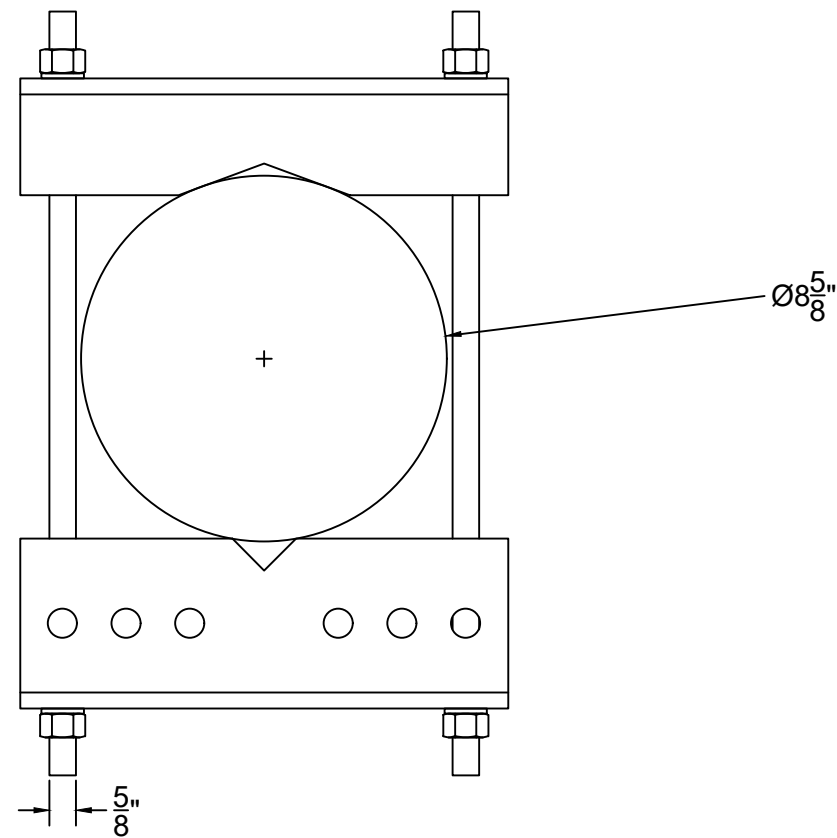


BILL OF MATERIALS

ITEM	QTY	PART NUMBER	DESCRIPTION
1	1	VCULA2080	FRONT ATTACHMENT
2	1	VCULA2080	REAR ATTACHMENT
3	2	HTR5/8	5/8" X 2' GR. 36 ALL THREAD ROD
4	4	HNG5/8	5/8" A563DH NUT
5	4	HLG5/8	5/8" LOCK WASHER



				DATE 10/26/2021	PART NO. VCULA2080	DRAWN BY LD
				SCALE 3" = 1'	DESCRIPTION UNIVERSAL LEG ATTACHMENT, UP TO 8" LEG	SHEET 2 OF 2
				PROPRIETARY NOTE: THIS DOCUMENT AND THE INFORMATION IT CONTAINS IS PROPRIETARY AND CONFIDENTIAL TO VANCOMM LLC. IT HAS BEEN PROVIDED ONLY FOR YOUR INTERNAL USE IN CONSIDERING A PURCHASE FROM VANCOMM LLC. NEITHER THIS DOCUMENT NOR ANY PORTION THEREOF MAY BE RELEASED OR DISCLOSED TO ANY THIRD PARTY WITHOUT PRIOR CONSENT FROM VANCOMM LLC. PLEASE DESTROY ALL COPIES OF THIS DOCUMENT IF YOU CANNOT ACCEPT THIS PROPRIETARY RESTRICTION. DOCUMENT COPYRIGHT© 2021, VANCOMM LLC.		
ZONE	REV	DESCRIPTION	DATE	APPROVED		
REVISIONS						