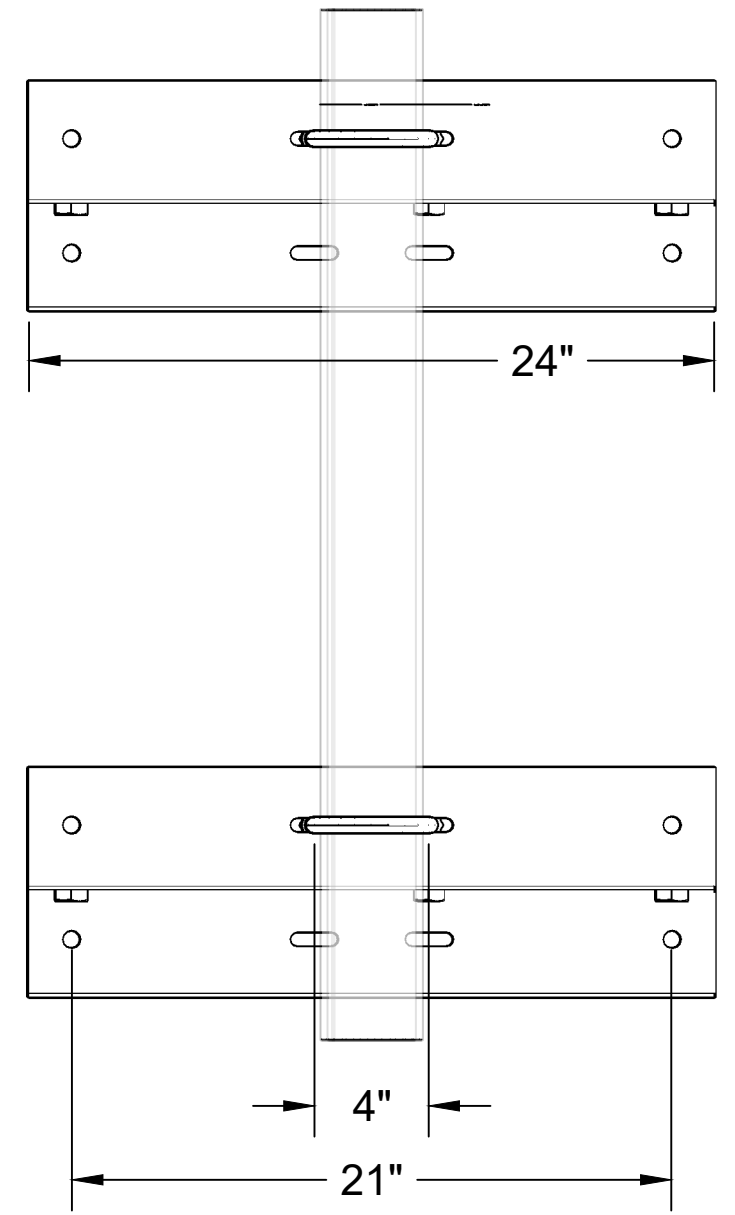
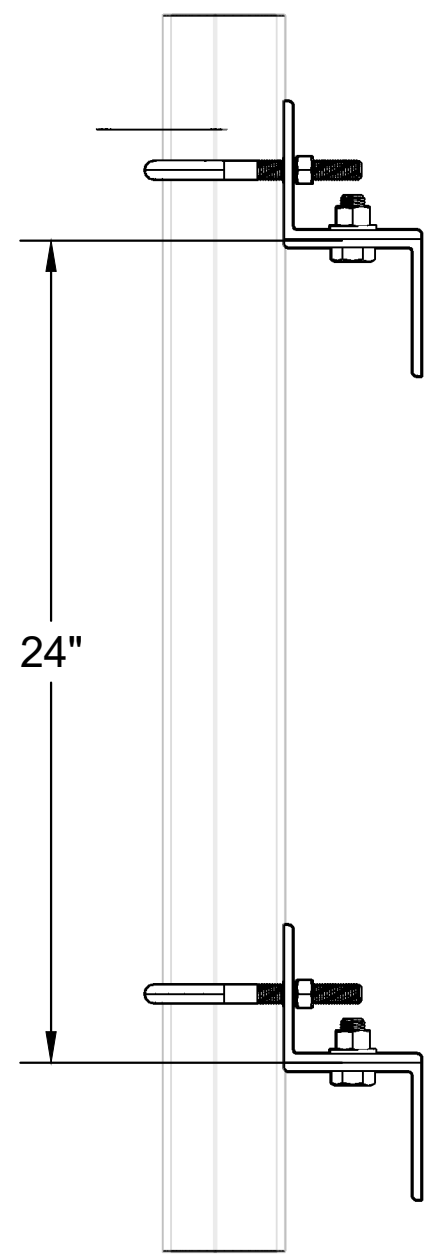
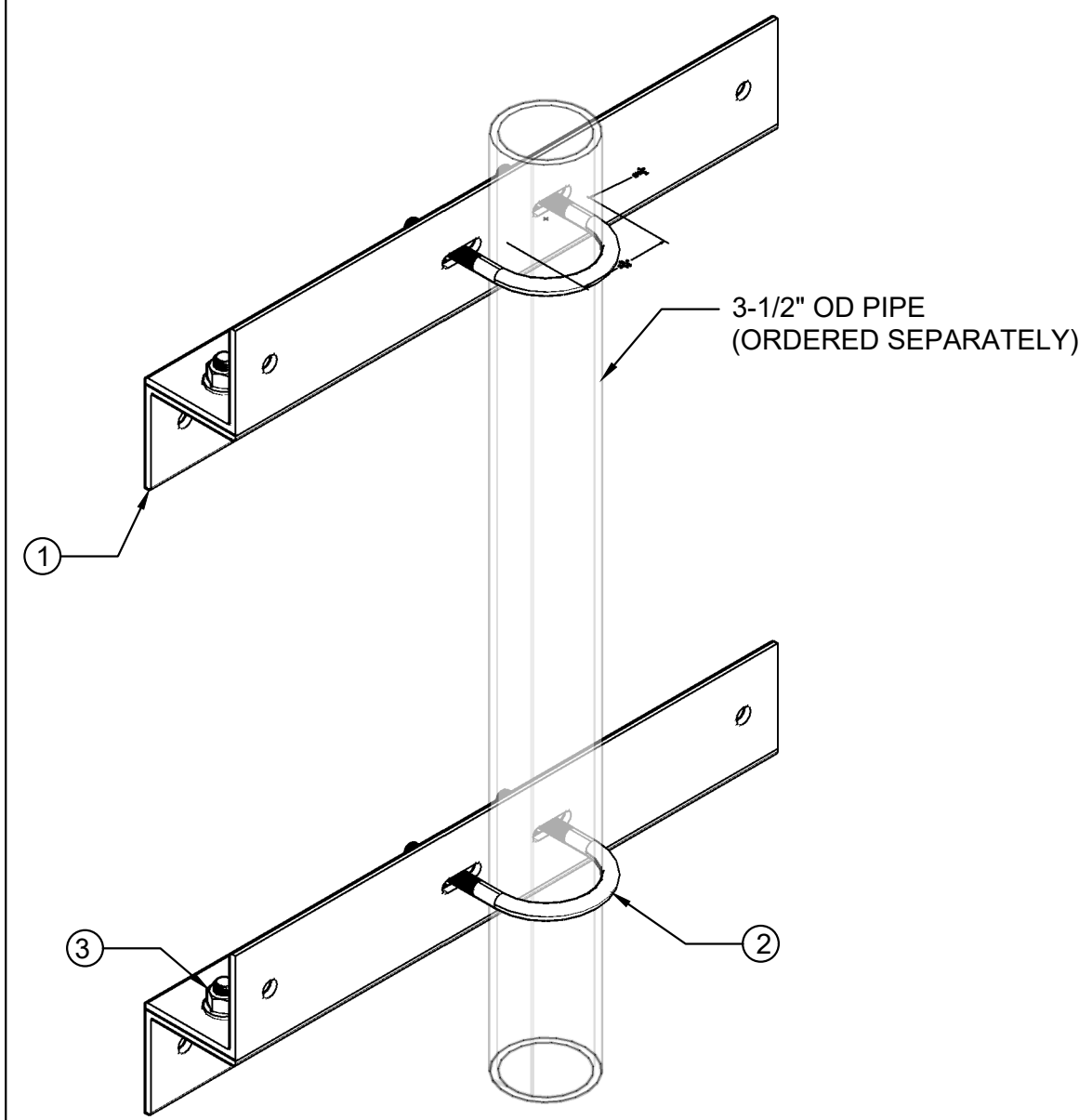


BILL OF MATERIALS			
ITEM	QTY	PART NUMBER	DESCRIPTION
1	4	WMA4414	WALL MOUNT ANGLE, L4"X4"X $\frac{1}{4}$ ", A36, HDG
2	2	PV-GUB-4355	GALV. U-BOLT ASSEMBLY, 1/2" X 3-5/8" X 5"
3	4	HBG3815	HEX BOLT A325 GALV. 5/8"X1-1/2" ASSEMBLY



ZONE	REV	DESCRIPTION	DATE	APPROVED
	1	REMOVED WALL MOUNT CLIPS. CHANGED DESIGN FOR SINGLE UNIVERSAL ANGLE	04/12/2021	

REVISIONS

DATE	04/12/2021	PART NO.	VCWM312 ASSEMBLY	DRAWN BY	LD
SCALE	VARIES	DESCRIPTION	ANGLE WALL MOUNT KIT FOR 3-1/2 OD PIPE	SHEET	1 OF 1
PROPRIETARY NOTE: THIS DOCUMENT AND THE INFORMATION IT CONTAINS IS PROPRIETARY AND CONFIDENTIAL TO VANCOMM LLC. IT HAS BEEN PROVIDED ONLY FOR YOUR INTERNAL USE IN CONSIDERING A PURCHASE FROM VANCOMM LLC. NEITHER THIS DOCUMENT NOR ANY PORTION THEREOF MAY BE RELEASED OR DISCLOSED TO ANY THIRD PARTY WITHOUT PRIOR CONSENT FROM VANCOMM LLC. PLEASE DESTROY ALL COPIES OF THIS DOCUMENT IF YOU CANNOT ACCEPT THIS PROPRIETARY RESTRICTION. DOCUMENT COPYRIGHT© 2021, VANCOMM LLC.					

The Original Mount
Build Not Destroy
 2512 Route 73 North, Cinnaminson, NJ 08077