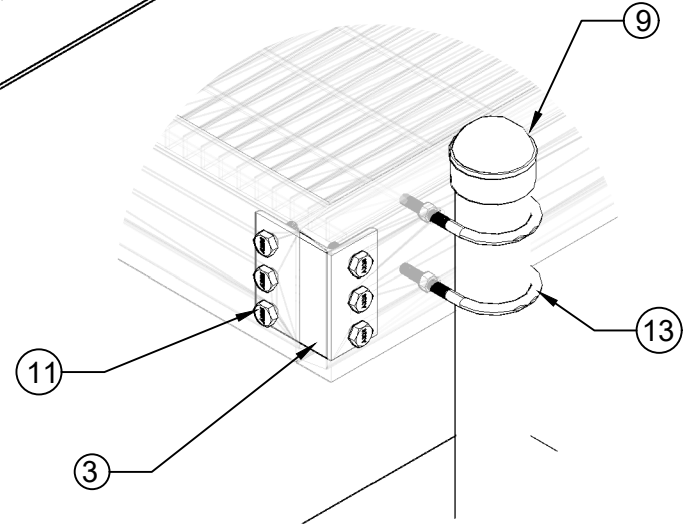
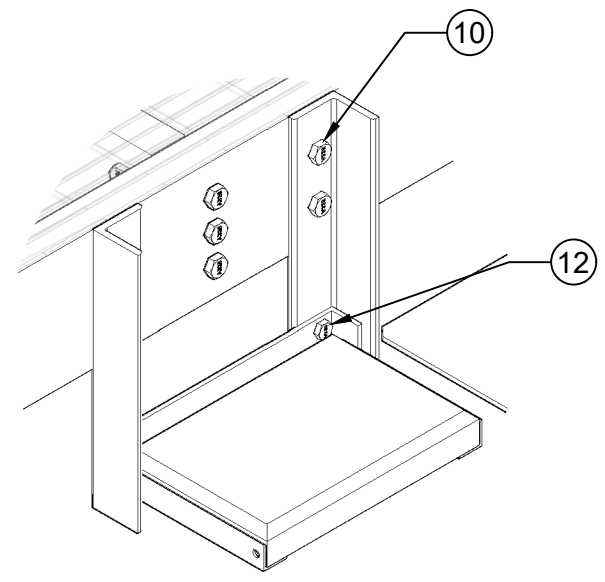


| BILL OF MATERIALS |           |  |
|-------------------|-----------|--|
| ITEM              | QTY SHOWN | DESCRIPTION  |
| 1                 | 2         | LONG CHANNEL, C8X11.5                                  |
| 2                 | 3         | SHORT CHANNEL, C8X11.5                                 |
| 3                 | 6         | ANGLE CLIP, L5"X3"X5/16" X 6" LONG                     |
| 4                 | 4         | PLATFORM LEGS, 1/4"X18" SQ. BASE PLATE, 3" SCH 40 PIPE |
| 5                 | 2         | STEP ATTACHMENT ANGLE, L3"X3"X3/8" X 16" LONG          |
| 6                 | 1         | FOLD-UP STEP   |
| 7                 | AS REQ.   | GRATING, 1-1/4" X 3/16"                                |
| 8                 | 4         | RUBBER MAT, 1/2"X18"X18"                               |
| 9                 | 4         | 3" PIPE CAP  |
| 10                | 4         | 5/8-11X2" GALV. A325 BOLT ASSEMBLY                     |
| 11                | 36        | 5/8-11X1-3/4" GALV. A325 BOLT ASSEMBLY                 |
| 12                | 2         | 1/2-13X1-3/4" GALV. A325 BOLT ASSEMBLY                 |
| 13                | 8         | 1/2-13X3-5/8" GALV. U-BOLT ASSEMBLY                    |
| 14                | AS REQ.   | GRATING CLIP   |

NOTE: 6' X 3' MODULAR PLATFORM SHOWN FOR REFERENCE. QUANTITIES MAY VARY BASED ON PLATFORM SIZE



DETAIL A  
ANGLE CLIP CONNECTION  
PLATFORM LEG CONNECTION



DETAIL B  
FOLD DOWN STEP CONNECTION

| ZONE      | REV | DESCRIPTION | DATE | APPROVED |
|-----------|-----|-------------|------|----------|
| REVISIONS |     |             |      |          |

|   |   |                 |
|---|---|-----------------|
| DATE<br>03/02/21  | PART NO.<br>VCMP4 ASSEMBLY                      | DRAWN BY<br>LD  |
| SCALE<br>VARIES   | DESCRIPTION<br>MODULAR PLATFORM ASSEMBLY, 4-LEG | SHEET<br>1 OF 2 |
| PROPRIETARY NOTE:<br>THIS DOCUMENT AND THE INFORMATION IT CONTAINS IS PROPRIETARY AND CONFIDENTIAL TO VANCOMM LLC. IT HAS BEEN PROVIDED ONLY FOR YOUR INTERNAL USE IN CONSIDERING A PURCHASE FROM VANCOMM LLC. NEITHER THIS DOCUMENT NOR ANY PORTION THEREOF MAY BE RELEASED OR DISCLOSED TO ANY THIRD PARTY WITHOUT PRIOR CONSENT FROM VANCOMM LLC. PLEASE DESTROY ALL COPIES OF THIS DOCUMENT IF YOU CANNOT ACCEPT THIS PROPRIETARY RESTRICTION. DOCUMENT COPYRIGHT© 2021, VANCOMM LLC. |   |                 |

**The Original Mount**  
Build Not Destroy

2512 Route 73 North, Cinnaminson, NJ 08077