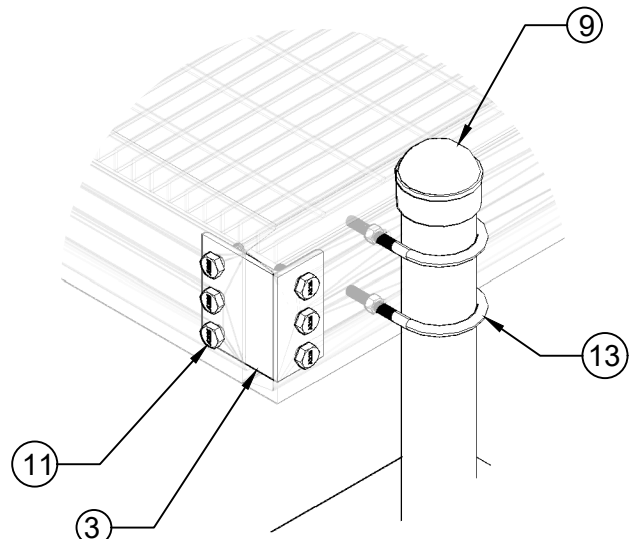
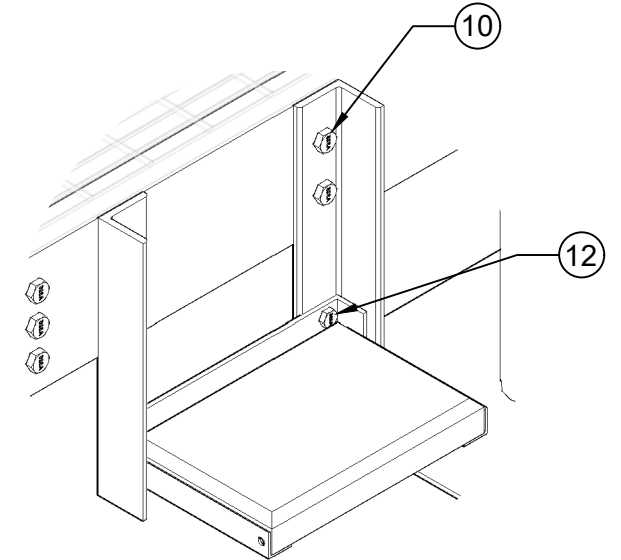


BILL OF MATERIALS		
ITEM	QTY SHOWN	DESCRIPTION
1	2	LONG CHANNEL, C8X11.5
2	4	SHORT CHANNEL, C8X11.5
3	8	ANGLE CLIP, L5"X3"X5/16" X 6" LONG
4	6	PLATFORM LEGS, 1/4"x18" SQ. BASE PLATE, 3" SCH 40 PIPE
5	4	STEP ATTACHMENT ANGLE, L3"X3"X3/8" X 16" LONG
6	2	FOLD-UP STEP
7	AS REQ.	GRATING, 1-1/4" X 3/16"
8	6	RUBBER MAT, 1/2"x18"x18"
9	6	3" PIPE CAP
10	8	5/8-11X2" GALV. A325 BOLT ASSEMBLY
11	48	5/8-11X1-3/4" GALV. A325 BOLT ASSEMBLY
12	4	1/2-13X1-3/4" GALV. A325 BOLT ASSEMBLY
13	12	1/2-13X3-5/8" GALV. U-BOLT ASSEMBLY
14	AS REQ.	GRATING CLIP

NOTE: 10' X 6' MODULAR PLATFORM SHOWN FOR REFERENCE. QUANTITIES MAY VARY BASED ON PLATFORM SIZE



DETAIL A
ANGLE CLIP CONNECTION
PLATFORM LEG CONNECTION



DETAIL B
FOLD DOWN STEP CONNECTION

ZONE	REV	DESCRIPTION	DATE	APPROVED
		REVISIONS		

DATE	03/02/21	PART NO.	VCMP6	DRAWN BY	LD
SCALE	VARIES	DESCRIPTION	MODULAR PLATFORM ASSEMBLY, 6-LEG	SHEET	1 OF 2
PROPRIETARY NOTE: THIS DOCUMENT AND THE INFORMATION IT CONTAINS IS PROPRIETARY AND CONFIDENTIAL TO VANCOMM LLC. IT HAS BEEN PROVIDED ONLY FOR YOUR INTERNAL USE IN CONSIDERING A PURCHASE FROM VANCOMM LLC. NEITHER THIS DOCUMENT NOR ANY PORTION THEREOF MAY BE RELEASED OR DISCLOSED TO ANY THIRD PARTY WITHOUT PRIOR CONSENT FROM VANCOMM LLC. PLEASE DESTROY ALL COPIES OF THIS DOCUMENT IF YOU CANNOT ACCEPT THIS PROPRIETARY RESTRICTION. DOCUMENT COPYRIGHT© 2021, VANCOMM LLC.					