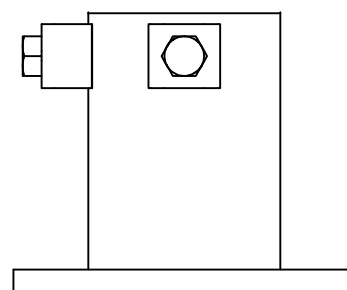
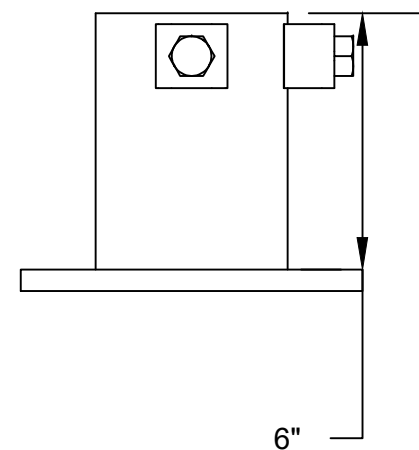
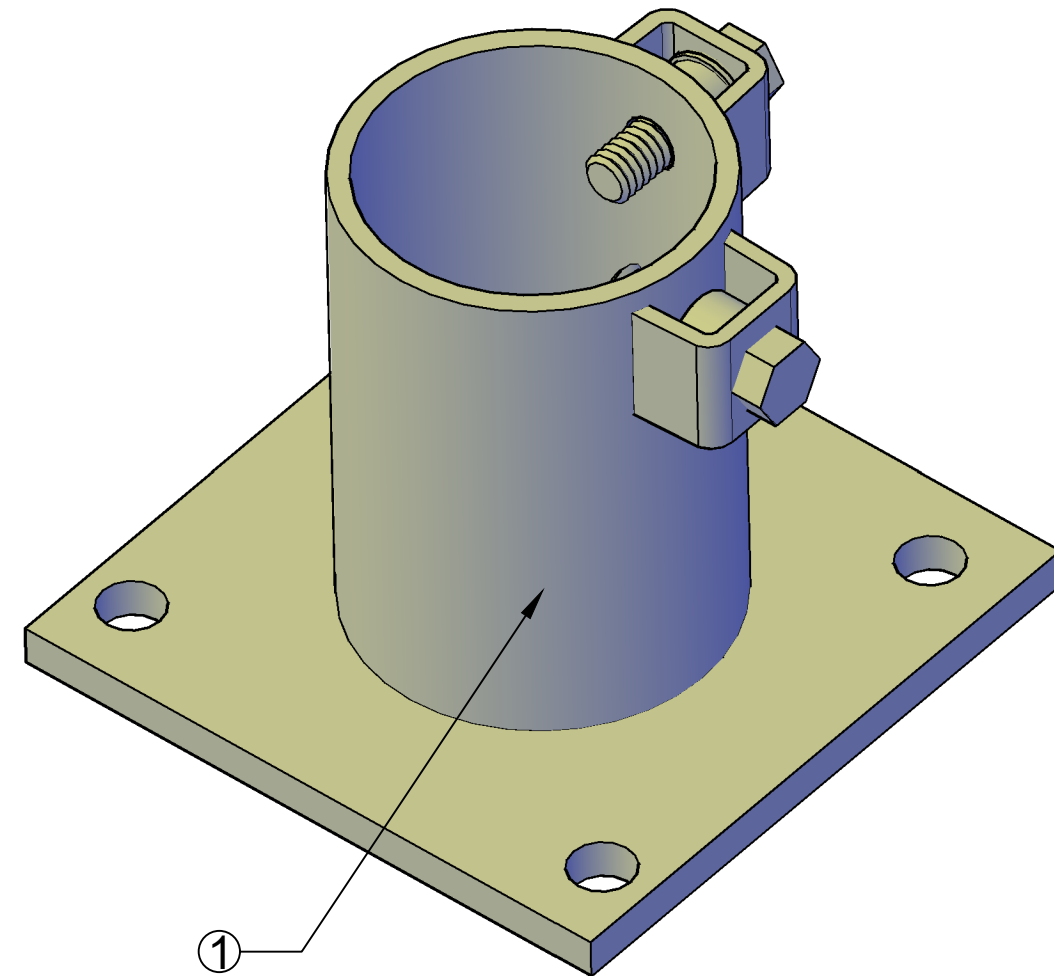
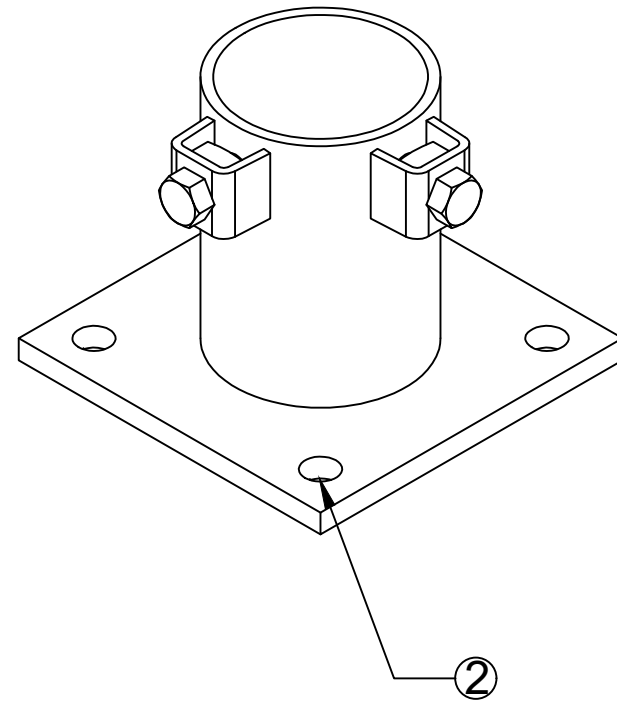
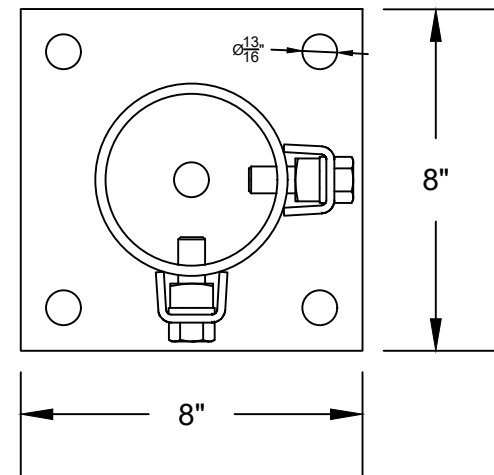


BILL OF MATERIALS

ITEM	QTY	PART NUMBER	DESCRIPTION
1	1	VCKS	8"X8"X $\frac{1}{2}$ " BASE PLATE W/ 3.5"COUPLER
2	4	HILTI ANCHOR	$\frac{5}{8}$ " HILTI ANCHOR



ZONE	REV	DESCRIPTION	DATE	APPROVED
REVISIONS				

DATE	PART NO.	VCBSK ASSEMBLY	DRAWN BY	VEI
SCALE	DESCRIPTION	Base Shoe Adapter Kit for 3 1/2" OD Pipe Includes Anchors	SHEET	1 OF 1
3"=1'	PROPRIETARY NOTE: THIS DOCUMENT AND THE INFORMATION IT CONTAINS IS PROPRIETARY AND CONFIDENTIAL TO VANCOMM LLC. IT HAS BEEN PROVIDED ONLY FOR YOUR INTERNAL USE IN CONSIDERING A PURCHASE FROM VANCOMM LLC. NEITHER THIS DOCUMENT NOR ANY PORTION THEREOF MAY BE RELEASED OR DISCLOSED TO ANY THIRD PARTY WITHOUT PRIOR CONSENT FROM VANCOMM LLC. PLEASE DESTROY ALL COPIES OF THIS DOCUMENT IF YOU CANNOT ACCEPT THIS PROPRIETARY RESTRICTION. DOCUMENT COPYRIGHT© 2021, VANCOMM LLC.			

The Original Mount
Build Not Destroy
 2512 Route 73 North, Cinnaminson, NJ 08077