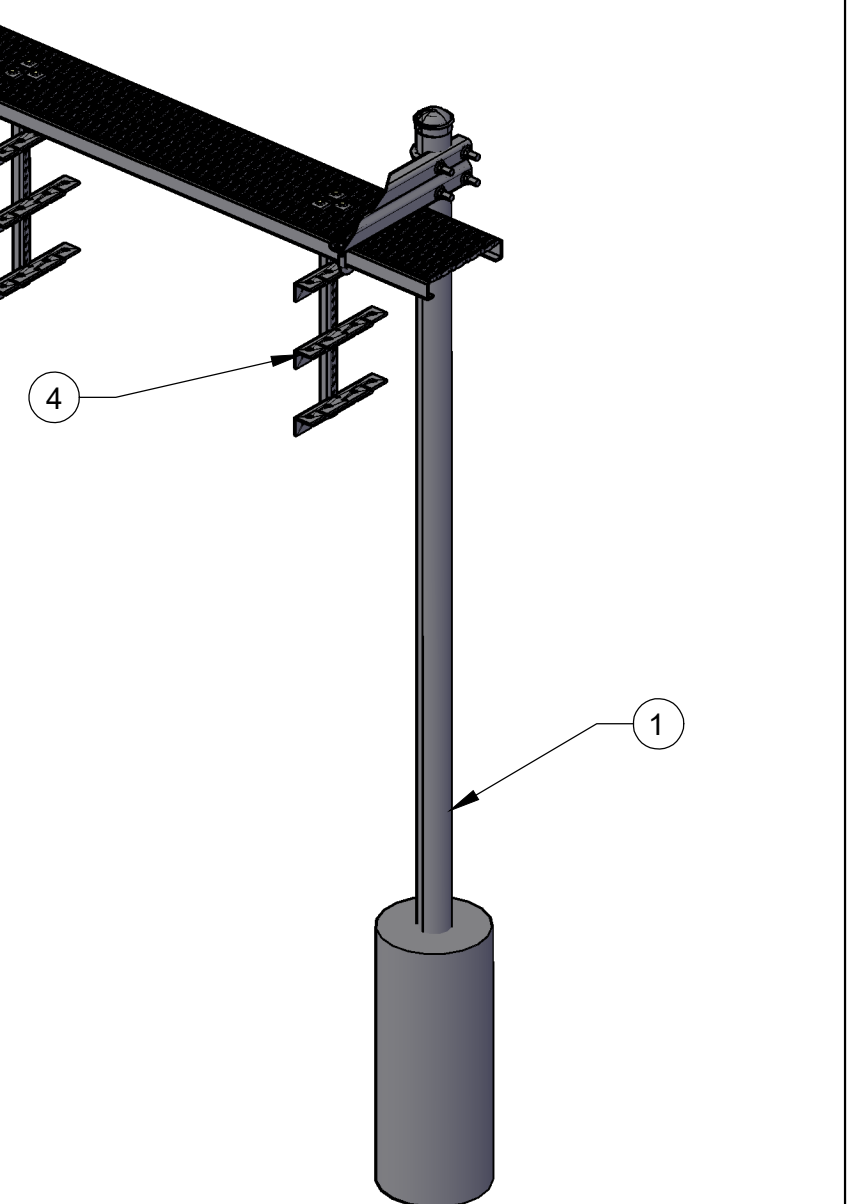


BILL OF MATERIALS		
ITEM	QTY	DESCRIPTION
1	2	3.5" OD X 12'6" GALVANIZED PIPE DIRECT BURIAL
2	1	SAFETY GRATING 12"X10'
3	2	12" WAVEGUIDE CANTILEVERS INCLUDES (2) 1/2"X3.5"UBOLTS PER
4	1	12" TRAPEZE KIT
5	2	3.5" OD PIPE CAP



ZONE	REV	DESCRIPTION	DATE	APPROVED
REVISIONS				

DATE 09/15/2022	PART NO. VCIBDB12 ASSEMBLY	DRAWN BY VEI
SCALE 1/2" = 1'	DESCRIPTION 12" GRIP STRUT ICE BRIDGE KITS DIRECT BURIAL	SHEET 1 OF 1
PROPRIETARY NOTE: THIS DOCUMENT AND THE INFORMATION IT CONTAINS IS PROPRIETARY AND CONFIDENTIAL TO VANCOMM LLC. IT HAS BEEN PROVIDED ONLY FOR YOUR INTERNAL USE IN CONSIDERING A PURCHASE FROM VANCOMM LLC. NEITHER THIS DOCUMENT NOR ANY PORTION THEREOF MAY BE RELEASED OR DISCLOSED TO ANY THIRD PARTY WITHOUT PRIOR CONSENT FROM VANCOMM LLC. PLEASE DESTROY ALL COPIES OF THIS DOCUMENT IF YOU CANNOT ACCEPT THIS PROPRIETARY RESTRICTION. DOCUMENT COPYRIGHT© 2021, VANCOMM LLC.		

The Original Mount
Build Not Destroy

2512 Route 73 North, Cinnaminson, NJ 08077